

U.are.U® 5160 Reader

FIPS 201 PIV Certified USB Fingerprint Reader



APPLICATIONS

- Desktop PC security
- Voting
- Entitlements
- Finance and Banking
- Healthcare and Pharmacy

FEATURES

- FIPS 201 PIV certified
- Low power consumption
- Fine-grained power control
- Compact size
- Landing lights for finger tracking
- Red/green status LEDs
- Blue illumination
- 500dpi images
- Highly durable glass top surface
- IP64 rated
- High quality fingerprint image
- Counterfeit finger rejection
- Compatible with U.are.U SDKs

PRODUCT DESCRIPTION

The U.are.U 5160 Fingerprint Reader is a FIPS 201/PIV-certified, touch-style USB peripheral. This compact, optical fingerprint reader is designed for use in harsh, demanding environments. Rated at IP64, the U.are.U 5160 is sealed against dust and liquids and its hard glass imaging window is highly resistant to chemical and physical damage.

Ergonomic blue “landing lights” help guide the user for simple, accurate fingerprint scans. Applications can also use red and green status lights built into the reader to provide immediate feedback without the need for a separate display screen. The U.are.U 5160 Reader can be used with any standards-compatible fingerprint templates extractor or matcher, including the DigitalPersona® FingerJet™ Biometric Engine.

The U.are.U 5160 Fingerprint Reader is designed for use with a full range of Crossmatch™ software, including our authentication solutions and U.are.U Software Development Kits. Whether you are a system integrator or an enterprise customer, Crossmatch biometric identity verification solutions provide a natural extension to your security system and applications.

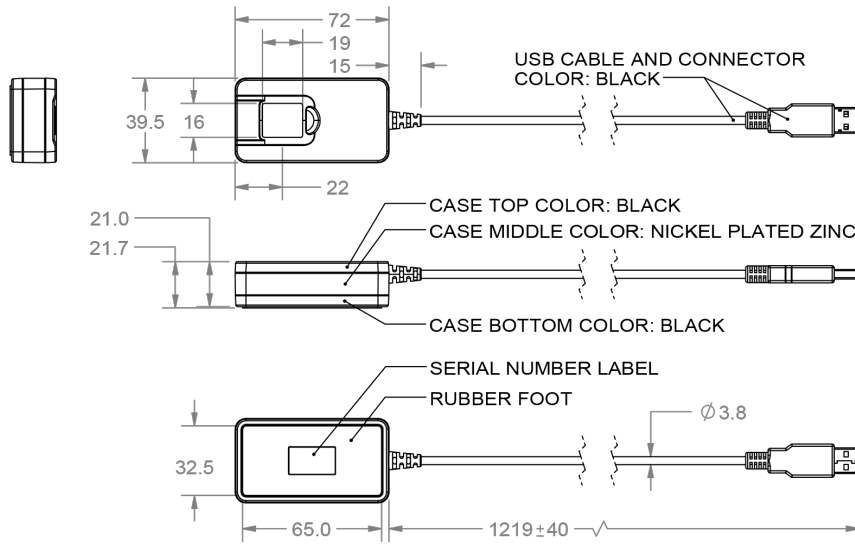
ABOUT CROSSMATCH

Crossmatch helps organizations solve their identity management challenges through biometrics. Our enrollment and authentication solutions are trusted to create, validate and manage identities for a wide range of government, law enforcement, financial institution, retail and commercial applications. Our solutions are designed using proven biometric technologies, flexible enrollment and strong multi-factor authentication software, and deep industry expertise. We offer an experienced professional services capability to assess, design, implement and optimize our identity management solutions for a customer's individual challenges. Our products and solutions are utilized by over 200 million people in more than 80 countries.

Learn more at www.crossmatch.com

U.are.U[®] 5160 Reader

FIPS 201 PIV Certified USB Fingerprint Reader



DIMENSIONS ARE IN MILLIMETERS,
TOLERANCES ARE:
ANGLES ± 1/2 DEG.
X ± 0.5
X.X ± 0.5

KEY SPECIFICATIONS

- Pixel resolution: 500dpi (native), 1000dpi (interpolated)
- 8-bit grayscale (256 gray levels)
- Reader size (approximate): 72 mm x 39.5 mm x 21.7 mm
- IP64 rated
- USB 2.0 (High Speed)

SPECIFICATIONS

CONNECTOR POINTS

Supply Voltage	5.0V ±5%	USB
Supply Current—scanning	< 120 mA (Typical)	Pin 1: +5V
Supply Current—idle mode	< 120 mA (Typical)	Pin 2: D -
Supply Current—suspend mode	< 0.5 mA (Maximum)	Pin 3: D +)
Temperature, Operating	-10 - 60 C	Pin 4: Ground
Humidity, Operating	20% - 80% non-condensing	Pin 5: Shield
Temperature, Storage	-10 - 60 C	
Humidity, Storage	20% - 90% non-condensing	
Scan Data	8-bit grayscale	
Top Surface	IP64 rated	
Interface	USB 2.0 High Speed	
Weight	130 grams	
Standards Compliance	FIPS 201 PIV, RoHS, WEEE UL, USB, WHQL	

Data subject to change without notice

Corporate Headquarters:

Crossmatch
3950 RCA Boulevard, Suite 5001
Palm Beach Gardens, FL 33410 USA

www.crossmatch.com